



Stone grapple „Lobster“



Special equipment for working with heavy stone blocs

Integrated holding device keeps the load even when the engine is switched off for about 30 minutes

Individually manufactured forms for your building project

Interlocking fingers

Form locking, load enveloping construction with extended volume

Convertible into demolition- and sorting grapple with mammut shells

Made from special wear resisting steel

Hardened knobs prevent load from gliding off (optional)

ATTENTION: the hydraulic values indicated here after are not to be considered for the regulation of the excavator – please use the instructions!

| Model (Standard)* | LO 3.0 | LO 4.0 | LO 5.0 | LO 6.0 | LO 6.5 | LO 7.0 |
|--------------------------------|----------|----------|----------|-----------|-----------|-----------|
| Weight without adapter, kg | 1.690 | 1.770 | 2.255 | 2.750 | ca. 5.000 | ca. 6.400 |
| Stone weight, max. to | bis 6 | bis 6 | bis 9 | bis 10 | bis 11,5 | bis 13 |
| Closing force, to | 4 | 4 | 5 | 6 | 6 | 9 |
| Hydraulic data | | | | | | |
| Open/close, max. pressure, bar | 350 | 350 | 350 | 350 | 350 | 350 |
| Open/close, oil flow, l/min | 70 - 120 | 70 - 120 | 90 - 150 | 120 - 200 | 150 - 250 | 250 - 400 |
| Rotate, max. pressure, bar | 200 | 200 | 200 | 200 | 200 | 200 |
| Rotate, oil flow, l/min | 20 - 25 | 20 - 25 | 20 - 25 | 20 - 25 | 20 - 25 | 20 - 25 |
| Excavator weight, to | 20 - 27 | 24 - 28 | 28 - 38 | 38 - 46 | 46 - 70 | 70 - 90 |

* All models in standard version. Special shapes on request

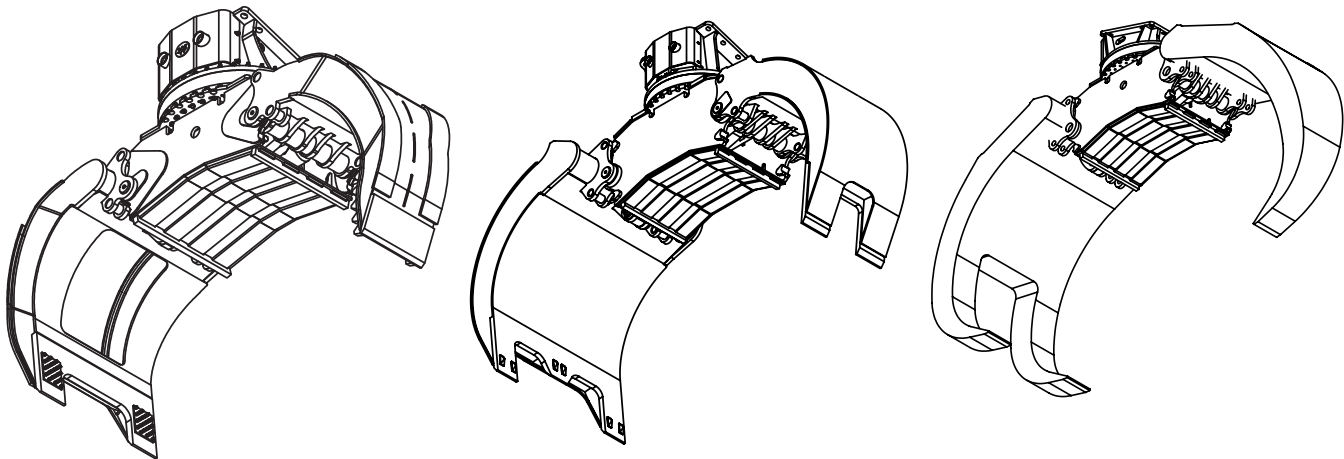
Individual solutions

We design, develop and produce your special grapple according to your wishes and needs. Tailored to your project for efficient results.

Contact us, we will help you finding the fitting solution concept. Our professionals are at your disposal.

**Contact us
+43 6235 6655 - 0**

Examples



WIMMER Hartstahl GmbH & Co KG und WIMMER Felstechnik GmbH
Industriestraße 3, A-5303 Thalgau, AUSTRIA, Tel. +43 (0)6235 6655-0, Fax DW-18

WIMMER International CZ s.r.o., Rudolfovská 170 a, 370 01 České Budějovice,
Tel. +420 387 203 735, Fax +420 387 203 736

WIMMER Switzerland AG, Moosstraße 5,
CH-6212 St. Erhard, Tel.: +41 (0)79 228 50 27

office@wimmer.info

www.wimmer.info



Authorized WIMMER Dealer: