

## Pipe grapple „Tubor“



**Special grapple** for pipe-installation in infrastructure

Two shell sizes for pipe diameters from 350 to 1300 mm

Synthetic surface at contact areas for protection of the pipes

Closing force is reglable continous, so also useable for PVC rigid pipes

Attached shift arm is available in various lengths

Made from WHD 450 special wear resistant steel

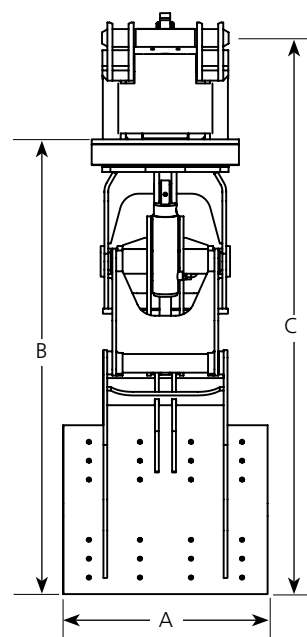
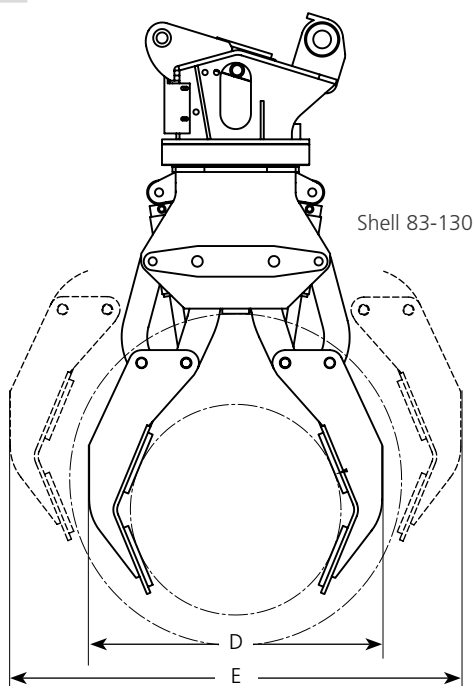
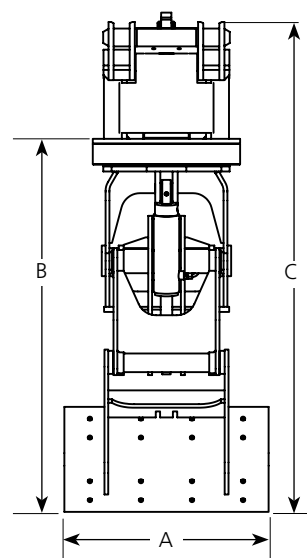
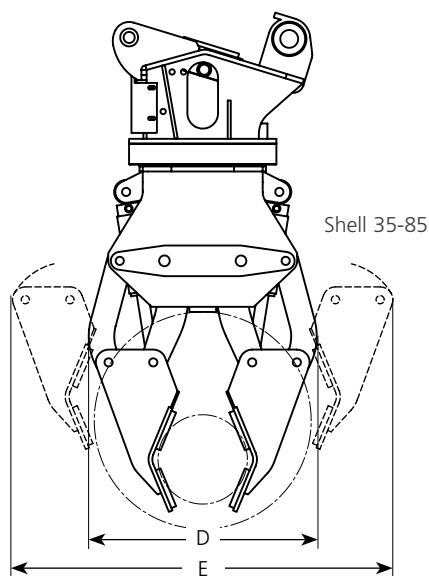
Load fixing- and burst pipe valve at the cylinder

Parallel shift of the grapple shells enables work in narrow canals



**ATTENTION: the hydraulic values indicated here after are not to be considered for the regulation of the excavator – please use the instructions!**

Shells	35 - 85	83 - 130
Shell width, mm (A)	800	800
Height without adapter, mm (B)	1460	1775
Height with adapter, mm (C)	1860	2180
Min. Ø of pipe, mm	350	825
Max. Ø of pipe, mm	850	1300
Width @ min Ø of pipe (D)	895	1150
Width @ max Ø of pipe (E)	1500	1785
Weight without adapter, kg	950	1040
Hydraulic data		
Open/close, max. pressure, bar	350	
Open/close, oil flow, l/min	40 - 60	
Rotation, max. pressure, bar	200	
Rotation, oil flow, l/min	15 - 20	
Excavator weight, to	14 - 24	
Closing force, to	3,5 - 7,5	



WIMMER Hartstahl GmbH & Co KG und WIMMER Felstechnik GmbH  
 Industriestraße 3, A-5303 Thalgau, AUSTRIA, Tel. +43 (0)6235 6655-0, Fax DW-18

WIMMER International CZ s.r.o., Rudolfovská 170 a, 370 01 České Budějovice,  
 Tel. +420 387 203 735, Fax +420 387 203 736

office@wimmer.info

www.wimmer.info



Authorized WIMMER Dealer: